

# LED High Bay Light HT-HB-120W



## **1. Application**

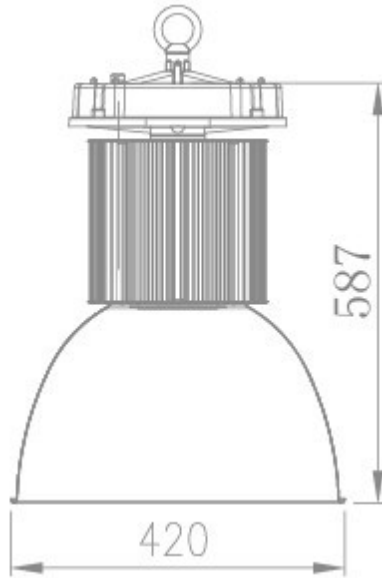
Workshop, GM, Warehouse, Industrial area, Architectural area.

## **2. Feature**

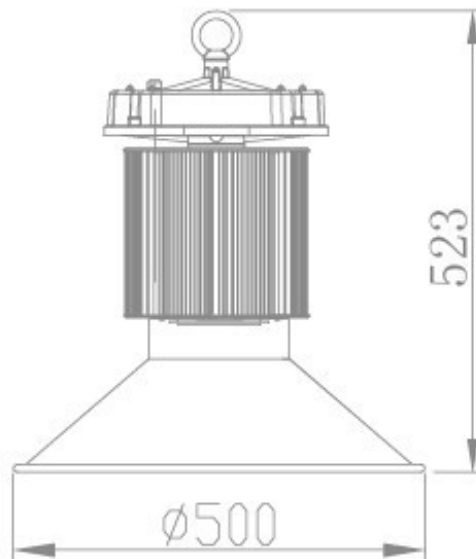
- 2.1 Special technical heat sinker, combining aluminum and copper heat pipe for heat conducting and heat dissipation. Make the lamp lighter, and better for heat conducting and heat dissipation.
- 2.2 Anodic oxidation reflector, and it can be taken apart from the lamp body easily. This will help for transportation.
- 2.3 High light transmitted PC cover used upon the LED array.
- 2.4. 45,90,120 degree reflector can be optional normally.

**3. Dimension drawing**

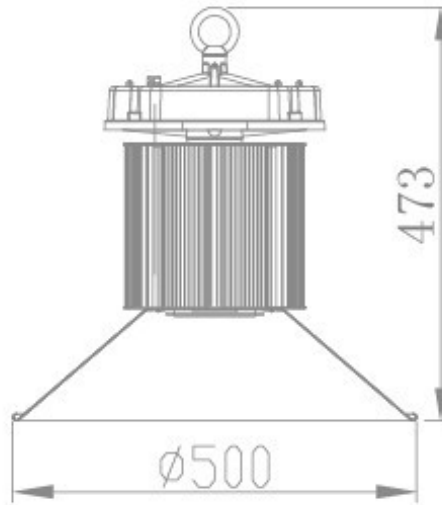
HT-HB-120W-45deg



HT-HB-120W-90deg



HT-HB-120W-120deg

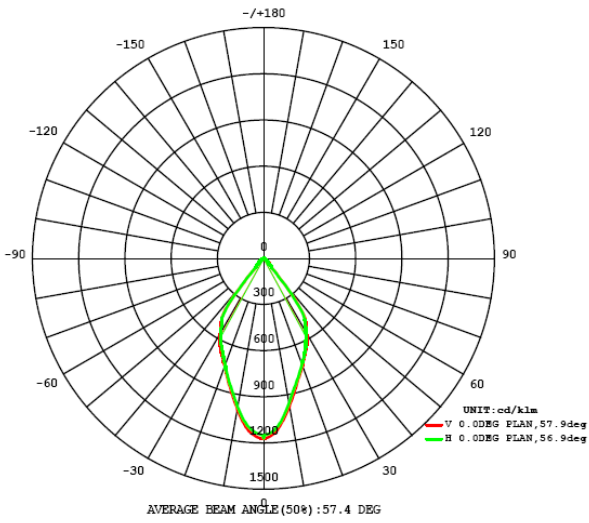


**4. Electrical Parameter**

Item number	Beam Angle	CCT (Typical)	Ra	Lumens	Dimension (MM)	System Consumption
HT-HB-120W-45	45°	5000K-5650K	≥70	12240 LM	420*420*587	120 ± 10 W
HT-HB-120W-90	90°	5000K-5650K	≥70	12596 LM	500*500*523	120± 10W
HT-HB-120W-120	120°	5000K-5650K	≥70	12980 LM	500*500*473	120 ± 10 W
CCT: 3000K-7000K optional						
PF>0.9						
Input Voltage: AC90V ~ 305V						
Storage temperature : - 40 ~ 50°C						

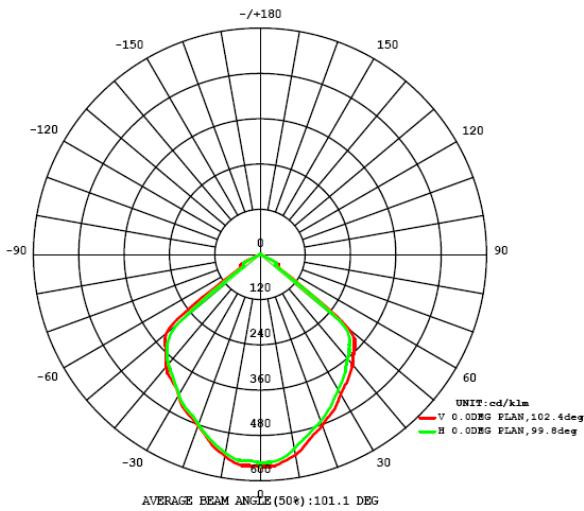
**5. Light Parameter**

**HT-HB-120W-45deg**



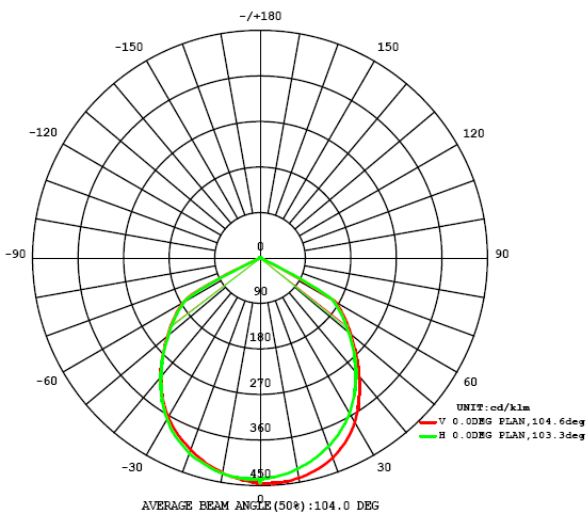
Height /M	Center Illumination/ LX	Light spot Diameter/CM
1	12520 LX	126
4	785 LX	502
7	260 LX	876
10	127 LX	1251
12	88 LX	1504

**HT-HB-120W-90deg**



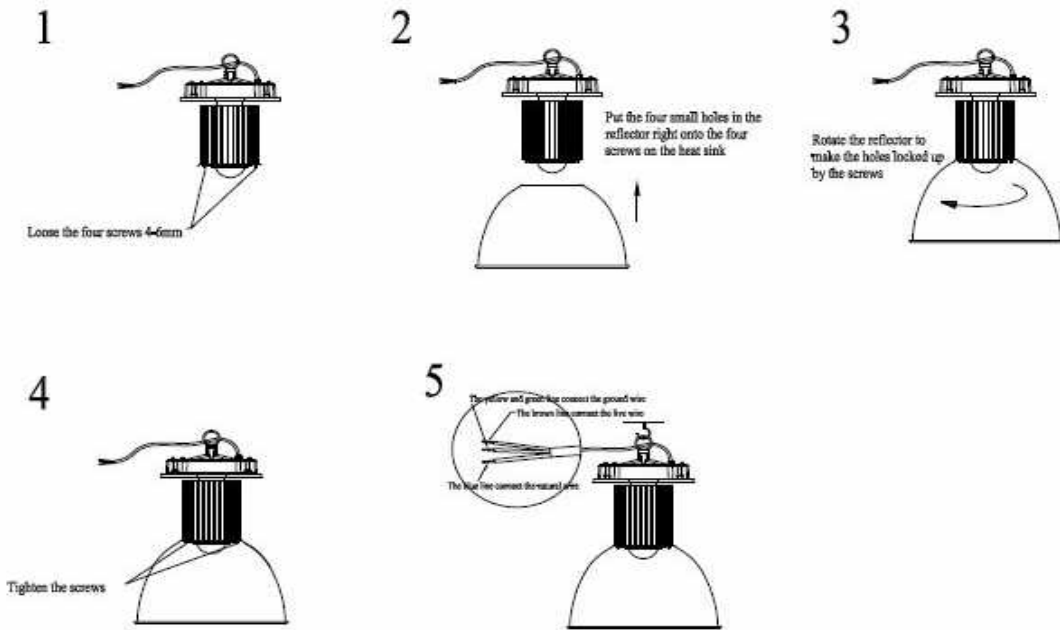
Height/ M	Center Illumination/ LX	Light spot Diameter/CM
1	6740 LX	240
4	432 LX	950
7	138 LX	1663
10	71 LX	2376
12	47 LX	2850

**HT-HB-120W-120deg**



Height /M	Center Illumination/ LX	Light spot Diameter/CM
1	6502 LX	253
4	407 LX	1010
7	135 LX	1766
10	67 LX	2526
12	46 LX	3028

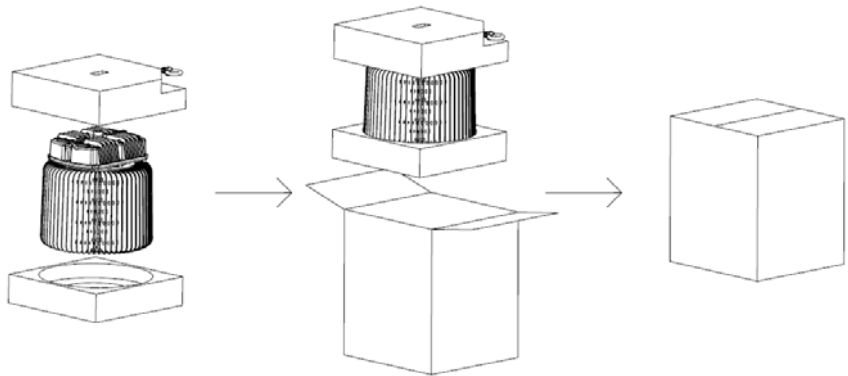
## 6. Installation sheet



## 7.Package instruction

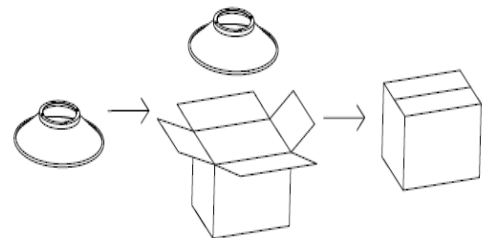
### Lamp body

Item	Data
Outer carton	33*33*39 cm
quantity	1pcs
Net weight	5.6kg
Gross weight	6.4 kg



### Reflectors

Item	45 degree	90 degree	120 degree
Packing size/CM	44*44*36	51.5*51*36	51.5*51*27
Quantity	<10 pcs	<7 pcs	<20 pcs
N.W.	0.6 kg	0.6 kg	0.6 kg



## **8. Attention for installation.**

- Cut off the AC input power, and make sure the hook and ceiling mounted shall be able to withstand 30kg weight.
- Make sure install the lamp correctly to avoid lamp dropping from the ceiling.
- Do not use the lamp in the air with corrosive moisture.
- Remove all kinds of covers before turn on the lamp.
- Make sure the lamp connect a ground wire, and test before using.
- Any problem due to disassembling, modifying, or installation not correctly would be out of the warranty.